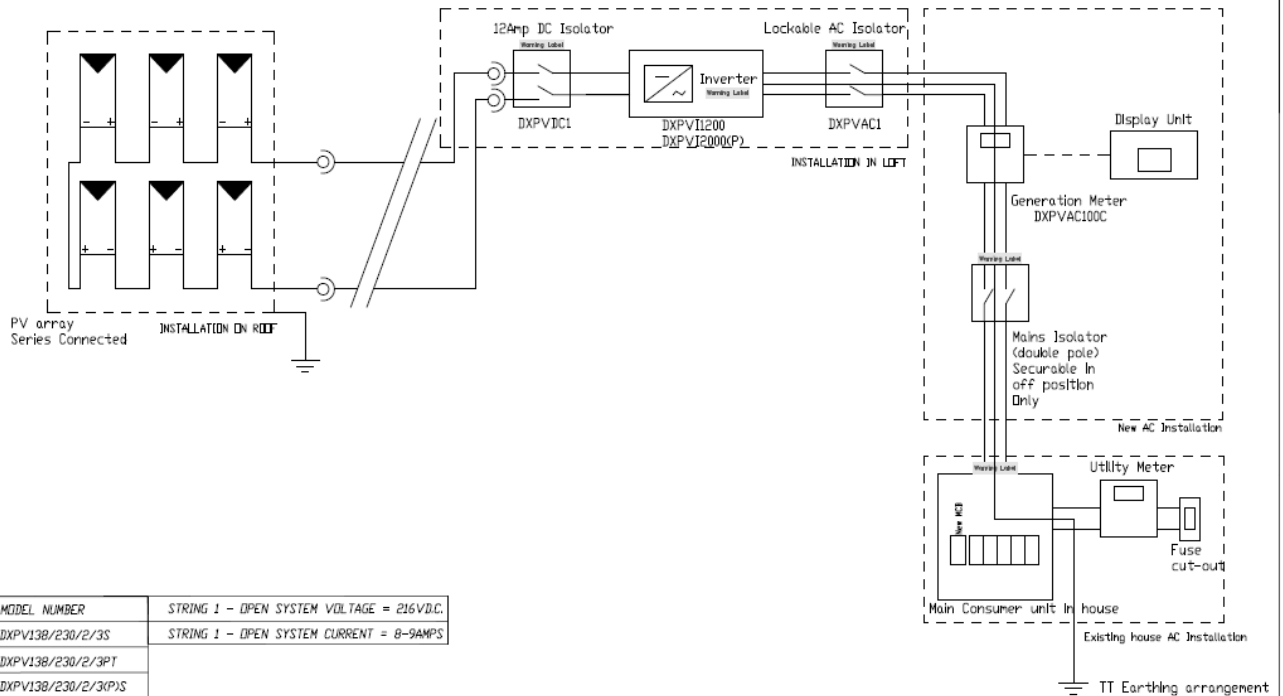


DXPV138/230/2/3S PV Solar Pack

1.38kWp Photovoltaic Kit for domestic and light commercial electricity



ITEM CODE	KIT REF	MODEL NUMBER	STRING 1 - OPEN SYSTEM VOLTAGE = 216VDC.
040527	15S	DXPV138/230/2/3S	STRING 1 - OPEN SYSTEM CURRENT = 8-9AMPS
040381	15PT	DXPV138/230/2/3PT	
040787	15PS	DXPV138/230/2/3(P)S	
040664	15PPT	DXPV138/230/2/3(P)PT	

Part Number	Model Number	Description	Quantity
038715	DXPVM230P6-30	230W Poly Solar PV Panel	6
038746	DXPVAC100C	Total generation meter	1
038777	DXPVAC1	32A 690V AC surface mounted isolator (lockable)	1
038760	DXPVD1	12A 500V 2 pole DC surface mounted isolator (lockable)	1
040299	DXPVRKHEXM820-25	Bag of 25 x Cylinder Head Screw with Hexagon Socket DIN 912 A2 M8x20	1
039774	DXPVRKHEXM850-10	Bag of 10 x Cylinder Head Screw with Hexagon Socket DIN 912 A2 M8x50	2
041388	DXPVRKHEXM825-25	Bag of 25 x Cylinder Head Screw with Hexagon Socket DIN 912 A2 M8x25	1
041401	DXPVRKM8N1-25	Bag of 25 x Serated nut A2 DIN 6923	1
039781	DXPVRKSBM81-10	Bag of 10 x Sliding Block 13x10mm, Pivotal, Aluminium, M8, 1=22mm	2
039736	DXPVRKCT1	Bag of 25 x Cable Ties-UV-Resistant	2
039675	DXPVRKEC1	Bag of 4 x End Cap PP, 40x40mm	3
039699	DXPVRKMC1	Bag of 4 x MG-MK 01, Middle Clamp, blank	3
039750	DXPVRKXC1	Bag of 4 x Cross connector (74011001)	6
039682	DXPVRKCC1	Bag of 4 x Corner Clamp, blank 50mm	3
039668	DXPVRKMR3	Mounting Rail medium 40x40, L = 3.2M	4
039729	DXPVRKRHST1	Slate Roof Hooks, stainless steel,	20
041289	DXPVRKSB100-10	Bag of 10 x Seating Bolt 8x100mm galvanised	2
039811	DXPVRKSB100-25	Bag of 25 x Seating Bolt 8x100mm galvanised	1
038623	DXPVI1200	Sunny Boy SB-1200 Inverter	1
038784	DXPVC10/1	10 meter extension cable Male/Female MC3; 4mm2 (+) MC3 -- 10 meters 4mm2-- MC4 (-)	1
040220	DXPVC10/2	10 meter extension cable Male/Female MC3; 4mm2 (-) MC3 -- 10 meters 4mm2 -- MC4 (+)	1
040367	DXPVP052	Installation manual	1
040183	DXPVWLPK1	PV Array 19 label Pack	1

Polycrystalline PV Solar Packs

Specifications

Inverter	1 x Sunny Boy SB-1200
Roof Mount	Slate roof kit
Meter	1 x Elster A100
Cabling	10m Positive and 10m Negative Solar Cable
Isolators	1 x DC isolator 1x AC isolator
Documentation	1 x Installation manual

Product Performance

5 years: 95% of rated peak output

10 years: 90% of rated peak output

15 years: 85% of rated peak output

25 years: 80% of rated peak output

Requirements

Dimplex Renewables PV Packs must be installed by Accredited PV Pack Installers

All Accredited PV Pack Installers are MCS-accredited for PV

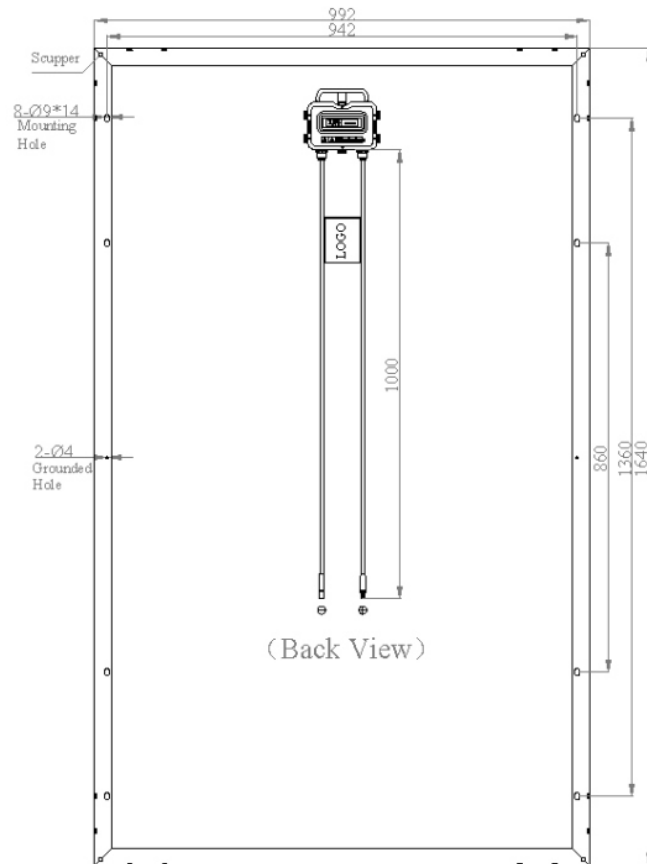
Certification

IEC61215

IEC61730

CE conformity

MCS



Electrical Performance

Electrical Performance of PV Module	DXPVM230P6-30
Open Circuit Voltage	36.65V
Short circuit current	8.59A
Peak Power in STC	230W
Point Voltage in Peak Power	29.00V
Point Current in peak Power	7.99A
Efficiency of Module	14.2%
Cell Type	Polycrystalline
Cell Quantity	60 (6 x 10)
Module Size	1640mm x 992mm x 50mm
Weight	20.5Kg
Operation temperature	-40°C ~ 85°C
Temperature coefficient in Short Circuit Current	(0.055 ± 0.01)%/K
Temperature coefficient in Open Circuit Voltage	-(113 ± 10)Mv%/K
Temperature coefficient in Peak Power	(0.47 ± 0.05)%/K
Output Power Tolerance	-0% + 3%
Max System voltage	1000V DC



MCS PV0017